

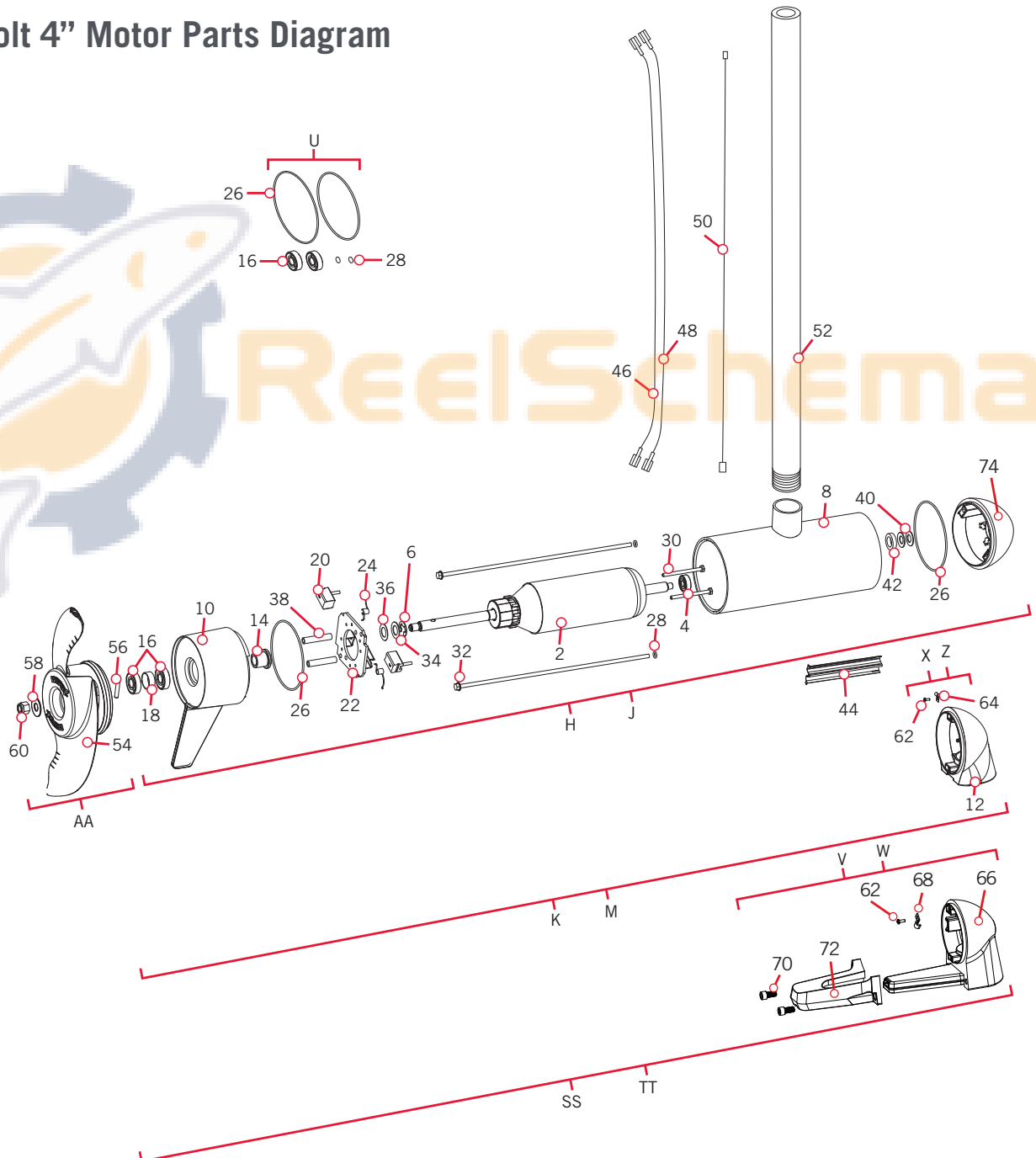
PARTS DIAGRAM & PARTS LIST

FORTREX - 80/112 LBS THRUST - 24/36 VOLT - 45"/52" SHAFT

The parts diagram and parts list provides Minn Kota® WEEE compliance disassembly instructions. For more information about where you should dispose of your waste equipment for recycling and recovery and/or your European Union member state requirements, please contact your dealer or distributor from which your product was purchased. Tools required, but not limited to: flat head screwdriver, Phillips screwdriver, socket set, pliers, wire cutters.

FORTREX MOTOR >

> 24 Volt 4" Motor Parts Diagram



PARTS DIAGRAM & PARTS LIST

▶ 24 Volt 4" Motor Parts List

Assembly	Part #	Description	Quantity
H	2417005	24V MOTOR 45" FW *80 LB* *24V* *45"* *4"*	1
J	2417006	MTR ASY 24V 4" VS FW 80 BS *24V* *4"*	1
K	2427005 +	24V MOTOR US2 45" *80 LB* *24V* *45"* *US2* *4"*	1
M	2427006 +	24V MOTOR US2 52" *80 LB* *24V* *52"* *US2* *4"*	1
U	2889460	SEAL & O-RING KIT *80 LB* *4"*	1
X	9421-244 +	TRANSDUCER ASSEMBLY *52"* *80 LB* *4"* *US2* *NON MDI*	1
Z	9421-288 +	TRANSDUCER ASSEMBLY *45"* *80 LB* *4.5"* *US2* *NON MDI*	1
AA	1378132	PROPELLER KIT WW2 *80 LB* 4"	1
SS	2437000 →	MTR ASY 24V 4" 80# CB FW *80LB* *45"* *MDI*	1
TT	2437001 →	MTR ASY 24V 4" 80# CB FW *80LB* *52"* *MDI*	1
V	2773007 →	FORTREX 80-52" MDI TRANSDUCER *MDI*	1
W	2773001 →	FORTREX 80-45" MDI TRANSDUCER *MDI*	1
Item	Part #	Description	Quantity
2	2-100-214	ARMATURE ASSEMBLY *80 LB*	1
4	140-010	BEARING *80 LB*	1
6	788-040	RETAINING RING	1
8	2-200-160	CENTER HOUSING ASSEMBLY *80 LB* *4"*	1
	2-200-130	CTR HSG ASY 4.0 CB FW MAG *80LB*	1
10	2-300-160	BRUSH END HSG ASY *80 LB* *4"*	1
12	* +	PLAIN END HOUSING ASSEMBLY STD *4"* *80 LB* *US2* • SEE X OR Z*	
14	144-017	FLANGE BEARING	1
16	880-025	SEAL	2
18	725-095	PAPER TUBE - SEAL BORE	1
20	188-094	BRUSH *80 LB*	2
22	9-738-015	BRUSH PLATE ASSEMBLY *4"*	1
24	975-041	BRUSH SPRING *80 LB*	2
26	701-043	O-RING, MOTOR *80 LB* *4"*	2
28	701-009	O-RING, THRU-BOLT	2
30	830-027	SCREW, 10-32 X 2 *80 LB*	2
32	830-094	THRU-BOLT 12-24	2
34	990-051	WASHER, STEEL	1
36	990-052	WASHER, NYLATRON	1
38	973-025	SPACER, BRUSH PLATE *80 LB*	2
40	992-010	WASHER, BELLEVILLE *80 LB*	2
42	990-045	SPACER, THRUST *80 LB*	1

▲ Not shown on Parts Diagram.

* This part is included in an assembly and cannot be ordered individually.

+ Only available with models factory installed with Universal Sonar.

→ Only available with models factory installed with Built-in MEGA Down Imaging.

□ The Bow-Mount Stabilizer Assembly is not required or included on the 80lb 45" Fortrex.

PARTS DIAGRAM & PARTS LIST



Item	Part #	Description	Quantity
44	582-013	CLIP, RETAINING, SHORT, US2 ONLY *80 LB*	1
46	640-015	LEADWIRE, BLACK *80 LB* *45"* *4"* *US2* *NON US2*	1
	640-016	LEADWIRE, BLK AWG 56 1/2 XLP *80LB* *45"* *MDI*	1
	640-017	LEADWIRE, BLACK *80 LB* *52"* *4"* *US2*	1
48	640-119	LEADWIRE, RED *80 LB* *45"* *US2* *NON US2*	1
	640-123	LEADWIRE, RED 10 AWG 64 XLP *4"* *52"* *80 LB* *US2*	1
	640-121	LEADWIRE, RED *80 LB* *52"* *4"* *US2*	1
50	640-315	BONDING WIRE, BROWN 45" *45"*	1
	640-316	BONDING WIRE, BROWN 52" *52"*	1
52	2032003	TUBE 45"	1
	2032006	TUBE 52"	1
54	2331160	PROPELLER *80LB* *4"*	1
56	2262658	DRIVE PIN, LARGE	1
58	2091701	WASHER, PROP, LARGE	1
60	2093101	NUT, NYLOCK, PROP, LARGE	1
▲	✘	TRANSDUCER ASSY 67" US2 W/T *45"* *SEE Z*	1
	✘	TRANSDUCER ASSY 73" US2 W/T *52"* *SEE X*	1
62	2302104	SCREW - #6-20 X 3/8 THD CUTS, RI	1
▲	✘	SCREW - #6-20 X 1/2 THD CUTS, RI	3
64	230-038 +	CABLE CLAMP	1
66	✘ →	PLAIN END HOUSING US2 52" *80 LB* *4"* *MDI* *SEE V OR W*	1
68	230-039 →	CABLE CLAMP, 1/4" STEEL	1
70	830-110 →	SCREW-5-16-18 X 5/8 SHCS SS	2
72	792-001 →	GUARD, TRANSDUCER, PNT 4.0 DI *80 LB* *4"*	1
74	421-276	HSG PLN END 4" PAINTED FW BS *80 LB*	1

▲ Not shown on Parts Diagram.

✘ This part is included in an assembly and cannot be ordered individually.

+ Only available with models factory installed with Universal Sonar.

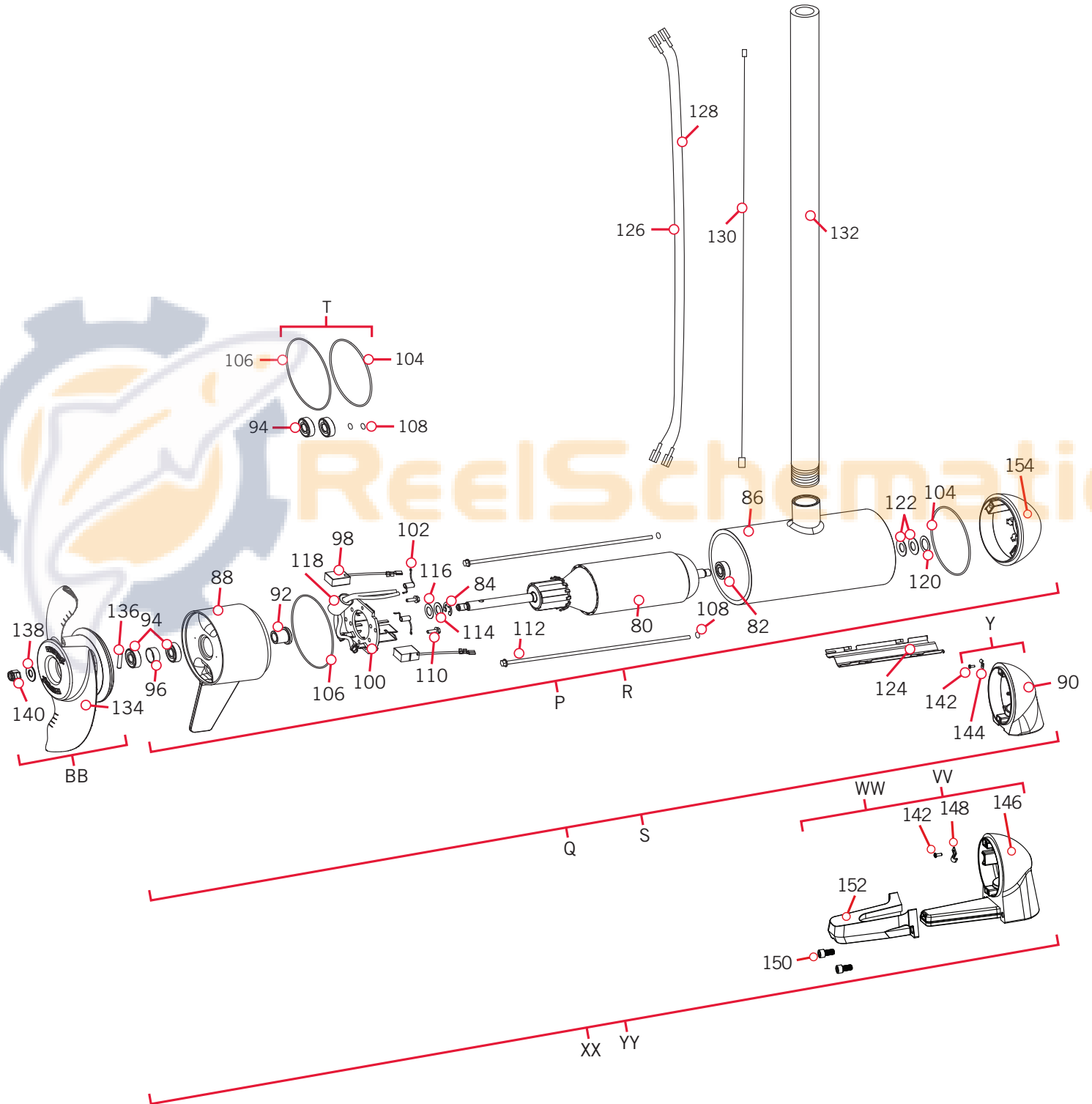
→ Only available with models factory installed with Built-in MEGA Down Imaging.

□ The Bow-Mount Stabilizer Assembly is not required or included on the 80lb 45" Fortrex.



PARTS DIAGRAM & PARTS LIST

36 Volt 4.5" Motor Parts Diagram



PARTS DIAGRAM & PARTS LIST

› 36 Volt 4.5" Motor Parts List

Assembly	Part #	Description	Quantity
P	2317081	36V MOTOR 52" FW *112 LB* *36V* *52"* *4.5"*	1
Q	2327081 +	36V MOTOR US2 52" *112 LB* *36V* *US2* *52"* *4.5"*	1
R	2317080 +	36V MOTOR 45" *112 LB* *36V* *45"* *4.5"*	1
S	2327080 +	36V MOTOR US2 45" *112 LB* *36V* *US2* *45"* *4.5"*	1
T	2881450	SEAL & O-RING KIT *4.5"* *112 LB*	1
Y	9421-245 +	TRANSDUCER ASSEMBLY *UP TO 52"* *112 LB* *4.5"* *US2* *NON MDI*	1
BB	1378160	PROPELLER KIT WW2 *112 LB* *4.5"*	1
XX	2437011 →	MTR ASY 36V 4.5" 112# MDI FW *MDI* *52"*	1
YY	2437010 →	MTR ASY 36V 4.5" 112# MDI FW *MDI* *45"*	1
VV	2773002 →	FORTREX 112-52" MDI TRANSDUCER *MDI* *52"*	1
WW	2773008 →	FORTREX 112-45" MDI TRANSDUCER *MDI* *45"*	1
Item	Part #	Description	Quantity
80	2-100-245	ARMATURE ASSEMBLY *112 LB*	1
82	140-014	BEARING *112 LB*	1
84	788-040	RETAINING RING	1
86	2-200-240	CENTER HOUSING ASSEMBLY *4.5"* *112 LB*	1
88	2-300-155	BRUSH END HSG ASY 4.5" FW *4.5"* *112 LB*	1
90	* +	PLAIN END HOUSING ASSEMBLY STD *4.5"* *112 LB* *US2* *SEE Y*	1
92	144-017	FLANGE BEARING	1
94	880-025	SEAL	2
96	725-095	PAPER TUBE - SEAL BORE	1
98	188-095	BRUSH *112 LB*	2
100	9-738-015	BRUSH PLATE ASSEMBLY *4.5"*	1
102	975-045	BRUSH SPRING *112 LB*	2
104	701-098	O-RING, PLAIN END *4.5"* *112 LB*	1
106	701-103	O-RING, 103 MM X 3.00 MM, 70 BUNA *4.5"*	1
108	701-009	O-RING, THRU-BOLT	2
110	2053410	SCREW, 8-32 X 1/2 *112 LB*	2
112	830-094	THRU-BOLT 12-24	2
114	990-051	WASHER, STEEL	1
116	990-052	WASHER, NYLATRON	1
118	2307312	FERRITE BEAD	1
120	990-011	WASHER, SHIM	1
122	992-011	WASHER, BELLEVILLE *112 LB*	2
124	582-016	CLIP, RETAINING *112 LB*	1

▲ Not shown on Parts Diagram.

* This part is included in an assembly and cannot be ordered individually.

+ Only available with models factory installed with Universal Sonar.

→ Only available with models factory installed with Built-in MEGA Down Imaging.

□ The Bow-Mount Stabilizer Assembly is not required or included on the 80lb 45" Fortrex.

PARTS DIAGRAM & PARTS LIST

Item	Part #	Description	Quantity
126	640-040	LEADWIRE, BLACK 45" *112 LB* *4.5"* *45"* *US2* *NON US2*	1
	640-043	LEADWIRE, BLACK 52" *112 LB* *52"* *4.5"* *US2* *NON US2*	1
128	640-140	LEADWIRE, RED 45" *112 LB* *4.5"* *45"* *US2* *NON US2*	1
	640-143	LEADWIRE, RED 52" *112 LB* *52"* *4.5"* *US2* *NON US2*	1
130	640-315	BONDING WIRE, BROWN 45" *45"*	1
	640-316	BONDING WIRE, BROWN 52" *52"*	1
132	2032003	TUBE 45"	1
	2032006	TUBE 52"	1
134	2341160	PROPELLER WW2 *112LB* *4.5"*	1
136	2262658	DRIVE PIN, LARGE	1
138	2091701	WASHER, PROP, LARGE	1
140	2093101	NUT, NYLOCK, PROP, LARGE	1
▲	✘	TRANSDUCER ASSY US2 W/T *45"*	1
	✘	TRANSDUCER ASSY US2 W/T *52"*	1
142	2302104 +	SCREW - #6-20 X 3/8 THD CUTS, RI	1
▲	✘	SCREW - #6-20 X 1/2 THD CUTS, RI	3
144	230-038	CABLE CLAMP	1
146	✘ →	PLAIN END HOUSING US2 52" *4.5"* *112 LB* *MDI* *SEE WW OR VV*	1
148	230-039 →	CABLE CLAMP, 1/4" STEEL	1
150	830-110 →	SCREW-5-16-18 X 5/8 SHCS SS	2
152	792-005 →	GUARD, TRANSDUCER, PNT 4.5 DI *112 LB* *4.5"*	1
154	421-240	PLAIN END HSG 4.5" PNTD FW 4.5" LOWER UNIT *112 LB*	1

▲ Not shown on Parts Diagram.

✘ This part is included in an assembly and cannot be ordered individually.

+ Only available with models factory installed with Universal Sonar.

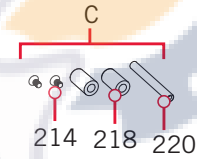
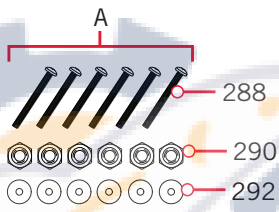
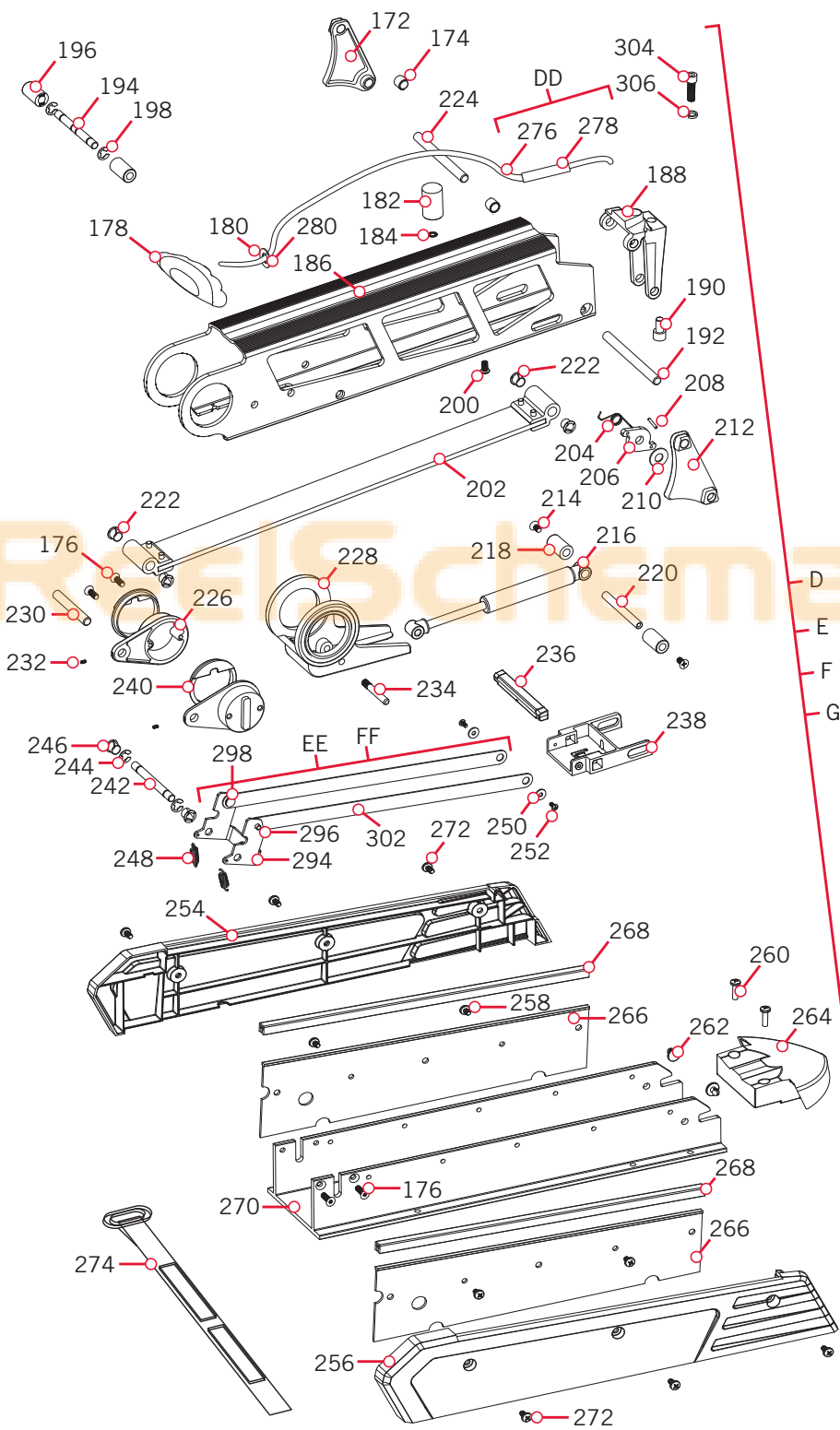
→ Only available with models factory installed with Built-in MEGA Down Imaging.

□ The Bow-Mount Stabilizer Assembly is not required or included on the 80lb 45" Fortrex.

PARTS DIAGRAM & PARTS LIST

FORTREX MOUNT

Mount Parts Diagram



D
E
F
G

PARTS DIAGRAM & PARTS LIST

› Mount Parts List

Assembly	Part #	Description	Quantity
D	2991650	MNT FW 80# 45", 112#/HC 52" *80 LB 45"* *112 LB 52"*	1
E	2991652	MNT ASM FTX FW 80# 52/62" *80 LB 52"* *80 LB 62"*	1
F	2991653	MNT ASM FTX FW 112# 45" *112 LB 45"*	1
G	2991654	MNT ASM FTX FW 112# 52" *112 LB 52"*	1
DD	2771601	ROPE ASSEMBLY	1
EE	2773600	LATCH STRAP ASSEMBLY, SHORT	1
FF	2773601	LATCH STRAP ASSEMBLY, LONG	1
A	2994887	MOUNTING HARDWARE BAG ASSY	1
C	2991912	BAG, ASSY. FORTREX MOUNT HDW	1
Item	Part #	Description	Quantity
172	2280800	LINK, BOWGUARD MOUNT, LEFT	1
	2990810	END LINK, LEFT, MACHINED *112 LB 62" ONLY*	1
174	2287303	BUSHING, UPPER PINS	2
176	2283411	SCREW, 1/4-20 X 1" FHS RIE TORX	4
178	2880401	PULL GRIP ASSEMBLY	1
180	2261732	WASHER	2
182	2281516	SPACER, INNER ARM	1
184	2281702	WASHER, LOCK 1/4	1
186	2284202	OUTER ARM, SHORT	1
	2284212	OUTER ARM, LONG	1
188	2992322	ROPE GUIDE ASSEMBLY *INCLUDES THREADED INSERT*	1
190	2281530	INSERT, THREADED	1
192	2282608	PIN, 7/16 X 5 5/32 - 52"	1
194	2282602	PIN, 3/8 X 3 3/4" SS	1
196	2261505	SPACER	2
198	2263011	E-RING, 3/8 SHAFT	2
200	2223418	SCREW, 1/4-20 X 1/2 BHCS	1
202	2993821	INNER ARM ASSEMBLY, LONG	1
	2993819	INNER ARM ASSEMBLY, SHORT	1
204	2042711	SPRING, TORSION	1
206	2283620	LATCH, SAFETY	1
208	2282611	PIN, SAFETY LATCH	1
210	2281704	WASHER 7/16 NYLON	1
212	2280805	LINK, BOWGUARD MOUNT, RIGHT	1
	2990815	END LINK, RIGHT, MACHINED *112 LB 62" ONLY*	1

▲ Not shown on Parts Diagram.

✳ This part is included in an assembly and cannot be ordered individually.

✚ Only available with models factory installed with Universal Sonar.

➔ Only available with models factory installed with Built-in MEGA Down Imaging.

☐ The Bow-Mount Stabilizer Assembly is not required or included on the 80lb 45" Fortrex.

PARTS DIAGRAM & PARTS LIST



Item	Part #	Description	Quantity
214	2283410	SCREW 1/4-20 X 1/2 PFH	2
216	2288403	GAS SPRING (CYLINDER) *ASSEMBLY D* *80# 45"*	1
	2288404	GAS SPRING (CYLINDER) *ASSEMBLY E* *80# 52"62"*	1
	2288405	GAS SPRING (CYLINDER) *ASSEMBLY F* *ASSEMBLY G* *112#*	1
218	2281710	SPACER, GAS SPRING	2
220	2282610	PIN, UPPER, SHOCK	1
222	2280005	BEARING, NYLINER 7/16"	4
224	2282600	PIN, 7/16 X 4 7/8	1
226	2281932	BRACKET, REAR PIVOT	2
228	2281501	YOKE, SHOCK MOUNT	1
230	2282606	PIN, 7/16 X 3 1/8	1
232	2283402	SCREW, SET, 6-32 X 1/4	2
234	2282604	PIN, KNURLED 5/16 X 2	1
236	2283615	LATCH BAR	1
	2283616	LATCH BAR	1
238	2283610	BRACKET - LATCH/STRAP, ROPE PULL	1
240	2287300	BUSHING, REAR PIVOT	2
242	2282602	PIN, 3/8 X 3 3/4	1
244	2263011	E-RING, 3/8 SHAFT	2
246	2280008	BEARING, IGLIDE	2
248	2282720	SPRING, EXTENSION	2
250	2261732	WASHER 8, NYLON	2
252	2373450	SCREW 8-18 X 3/8	2
254	2283937	SIDEPLATE, LEFT, SHORT, FW	1
	2283947	SIDEPLATE, LEFT, LONG, FW	1
256	2283932	SIDEPLATE, RIGHT, SHORT, FW	1
	2283942	SIDEPLATE, RIGHT, LONG, FW	1
258	2323403	SCREW-1/4-20 X .375 MCH SS CRPH	4
260	2073408	SCREW 1/4-20 X 7/8	2
262	2286700	PLUG, SPACER	2
264	2283900	RAMP, MOTOR	1
266	2283631	RAIL, MACH., MOTOR REST	2
268	2286400	COVER, RAIL, MOTOR REST (SUB)	2
270	2281903	BASE-EXTRUSION, SHORT, MACH	1
	2281913	BASE-EXTRUSION, LONG, MACH	1
272	2323405	SCREW 1/4-20 X 1/2	8
274	2773806	STRAP HOLD DOWN	1

- ▲ Not shown on Parts Diagram.
- * This part is included in an assembly and cannot be ordered individually.
- + Only available with models factory installed with Universal Sonar.

- ➔ Only available with models factory installed with Built-in MEGA Down Imaging.
- The Bow-Mount Stabilizer Assembly is not required or included on the 80lb 45" Fortrex.



PARTS DIAGRAM & PARTS LIST



Item	Part #	Description	Quantity
276	✘	ROPE, MAXXUW MNT	1
278	✘	SHRINK TUBE .252 FD, ADHES	1
280	✘	WASHER - EYE SHAFT (.562 OD) SS	1
▲	2287100	MANUAL FORTREX FC FW	1
▲	2217110	MANUAL - UWV. SONAR	1
▲	2284912	PARTS LIST, FRTRX 112/FC 52"	1
288	2263468	SCREW -1/4-20 X 2.5" S/S PPH	6
290	2263103	NUT-1/4-20 NYLOCK SS	6
292	2261713	WASHER-1/4 FLAT 18-8 SS	6
294	✘	BRACKET, LATCH *SEE EE OR FF*	1
296	2288610	RIVET, SHLDR 5/16" X .159" SS	2
298	2280006	BEARING, NYLINER 5/16"	2
▲	2284911	PARTS LIST, FORTREX 112 FC 45"	1
302	✘	LATCH, STRAP, SHORT *SEE EE*	2
	✘	LATCH, STRAP, LONG *SEE FF*	2
304	2283414	SCREW 5/16-18 SHCS, RIE	1
306	2281700	WASHER 5/16 LOCK	1

- ▲ Not shown on Parts Diagram.
- ✘ This part is included in an assembly and cannot be ordered individually.
- ✚ Only available with models factory installed with Universal Sonar.

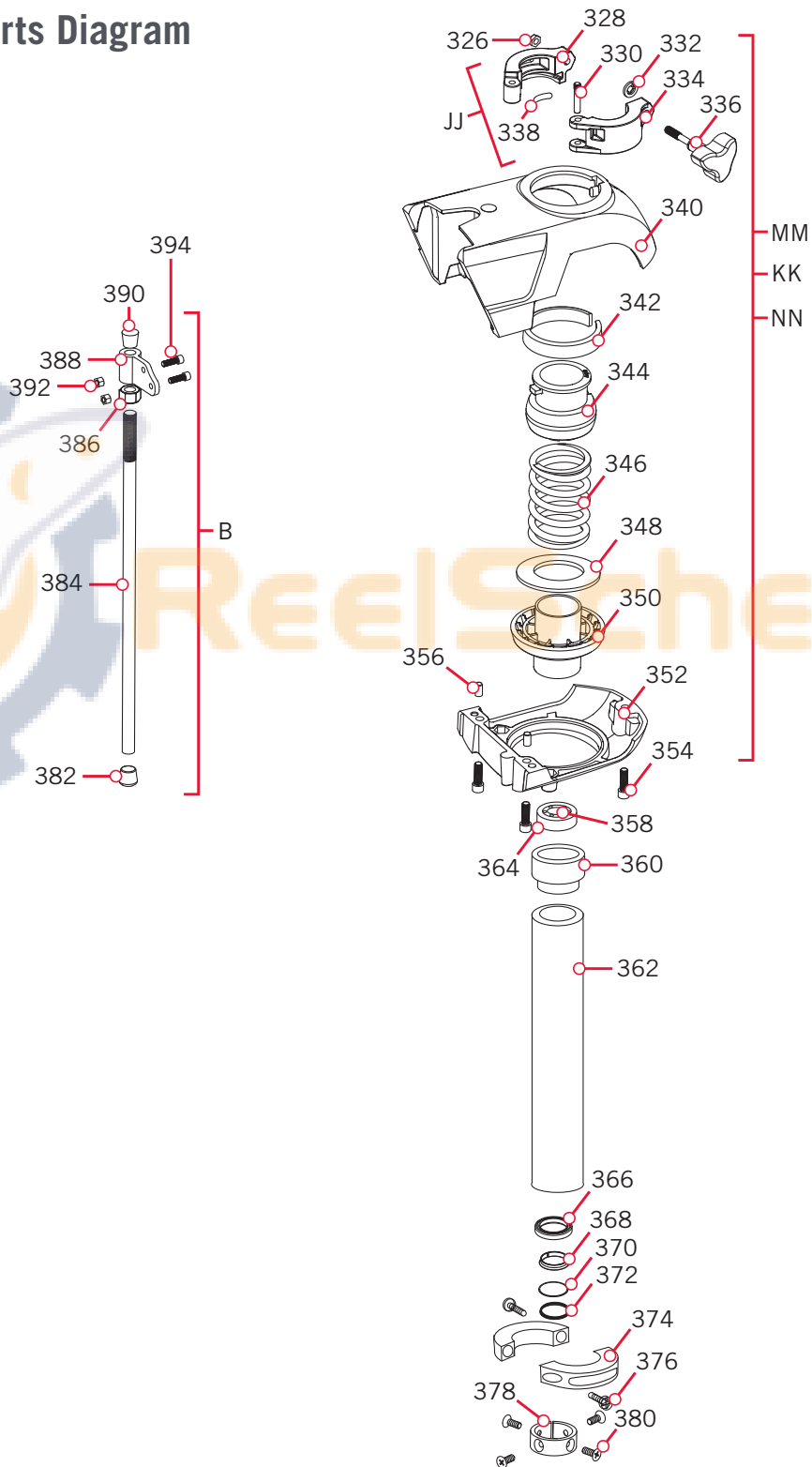
- ➔ Only available with models factory installed with Built-in MEGA Down Imaging.
- ☐ The Bow-Mount Stabilizer Assembly is not required or included on the 80lb 45" Fortrex.



PARTS DIAGRAM & PARTS LIST

FORTREX BOWGUARD >

> Bowguard Parts Diagram



PARTS DIAGRAM & PARTS LIST

› Bowguard Parts List

Assembly	Part #	Description	Quantity
JJ	2991550	CLAMP COLLAR ASSEMBLY	1
KK	2991753	BOWGUARD ASSEMBLY *112 LB 52"*	1
MM	2991754	BOWGUARD ASSEMBLY *80 LB 52"* *80 LB 45"*	1
NN	2991755	BOWGUARD ASSEMBLY *112 LB 45"* *80 LB 62"*	1
B	2991925 □	BRACKET STABILIZER ASSEMBLY	1
Item	Part #	Description	Quantity
326	2073102	NUT, 1/4-28 SS	1
328	✘	COLLAR CLAMP, "A" SIDE *SEE JJ*	1
330	2072621	PIN, KNURLED	1
332	2071718	WASHER #10 NYLON RETAINING	1
334	✘	COLLAR CLAMP, "B" SIDE *SEE JJ*	1
336	2281505	KNOB - SOFT GRIP, FW	1
338	2075120	PAD, URETHANE, DEPTH COLLAR	1
340	2281952	BRACKET, TOP	1
342	2280001	BEARING, TOP BRACKET	1
344	2071541	SPRING SLEEVE, UPPER	1
346	2282700	SPRING, BOWGUARD 80	1
	2282704	SPRING, BOWGUARD 112	1
348	2281525	SPACER, SPRING 62" ONLY	1
350	2281520	SPRING SLEEVE, LOWER *80 LB 52"* *80 LB 45"*	1
	2071535	SPRING SLEEVE, LOWER *80 LB 62"* *112 LB 45"*	1
	2281540	SPRING SLEEVE, LOWER *112 LB 52"*	1
352	2991728	BRACKET, BOTTOM *80 LB 52"* *80 LB 45"*	1
	2991730	BRACKET, BOTTOM *112 LB 52"* *112 LB 45"* *80 LB 62"*	1
354	2283413	SCREW 3/8-16 X 1 SHCS, RIE	3
356	2282612	PIN, SPRING 5/16" SS	2
358	2266000	BEARING, BALL, STEEL	1
360	2266260	BEARING RACE	1
362	2772085	TUBE W/ BEARING RACE 21" *80 LB 45"* *112 LB 45"*	1
	2772086	TUBE W/BEARING RACE 24" *80 LB 52"*	1
	2772092	TUBE W/BEARING RACE 24"*112 LB 52"*	1
	2772088	TUBE W/BEARING RACE 28.5" *80 LB 62"*	1
364	2267307	BUSHING OUTER TUBE	1
366	2266116	BEARING, CARTRIDGE	1
368	2266001	BEARING, SPLIT RING	1
370	2284600	O-RING	1

▲ Not shown on Parts Diagram.

✘ This part is included in an assembly and cannot be ordered individually.

✚ Only available with models factory installed with Universal Sonar.

➔ Only available with models factory installed with Built-in MEGA Down Imaging.

□ The Bow-Mount Stabilizer Assembly is not required or included on the 80lb 45" Fortrex.

PARTS DIAGRAM & PARTS LIST



Item	Part #	Description	Quantity
372	2281706	WASHER-NYLATRON	1
374	2261622	COLLAR HALF	2
376	2263453	SCREW, 1/4-20 X 1 SHCS	2
378	2071560	COLLAR, TUBE	1
380	2223468	SCREW 8-32 X 7/16 FLT HD	4
382	2265100	BUMPER (CRUTCH TIP)	1
384	2263624	ANODIZED ALUMINUM 3/4" ROD, 22"	1
386	2263107	HEX NUT 3/4-10 NYLON	1
388	2281929	STABILIZER ARM BRACKET	1
390	2260221	VINYL CAP	1
392	2223100	NYLOCK STAINLESS STEEL NUT	2
394	2263422	SCREW - 5/16-18 X 1"	2



ReelSchematic

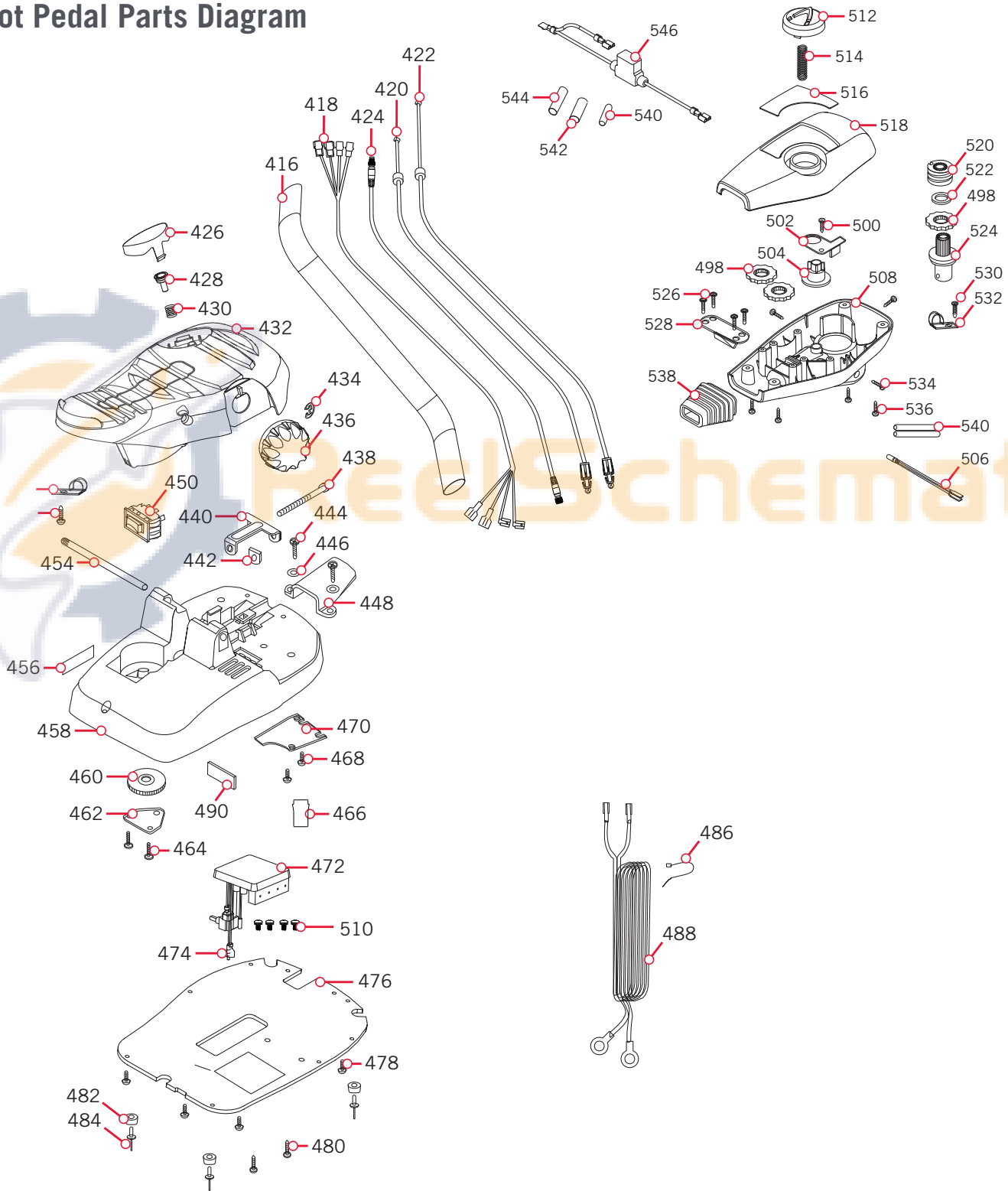
- ▲ Not shown on Parts Diagram.
- ✖ This part is included in an assembly and cannot be ordered individually.
- ✚ Only available with models factory installed with Universal Sonar.

- ➔ Only available with models factory installed with Built-in MEGA Down Imaging.
- The Bow-Mount Stabilizer Assembly is not required or included on the 80lb 45" Fortrex.



FORTREX FOOT PEDAL

Foot Pedal Parts Diagram



PARTS DIAGRAM & PARTS LIST

Foot Pedal Parts List

Item	Part #	Description	Quantity
416	2265430	CABLE JACKET, 5'	1
418	2261220	WIRE HARNESS, MAX	1
420	2267505	CABLE ASSEMBLY, RIGHT, 5'	1
422	2267515	CABLE ASSEMBLY, LEFT, 5'	1
424	2211410 +	CABLE EXTENSION, US2 175" *US2 ONLY*	1
	490507-2 →	CABLE, ADP-INT MDI 14 M12-174" *PRE-INSTALLED*	1
426	2773705	PUSH BUTTON W/ MAGNET	1
428	2260810	CLIP, REED SENSOR	1
430	2302732	SPRING, PEDAL BUTTON	1
432	2994497	FOOT PEDAL W/ PLUG	1
434	2263000	E-RING, KNOB	1
436	2280115	KNOB, SPEED CONTROL VARS	1
438	2263466	SCREW 1/4-20 X 2	1
440	2263210	BRACKET, CONDUIT ADJUSTMENT	1
442	2263140	NYLOCK KEEPER	1
444	2372100	SCREW 8-18 X 5/8	2
446	2261714	WASHER, MAX FOOT PEDAL	2
448	2265115	BOOT, FOOT PEDAL	1
450	2254031	SWITCH, MOM/OFF/CON	1
452	2332103	SCREW 6-20 X 3/8	1
454	2260511	PIN, PIVOT, FOOT PEDAL	1
456	2266610	DECAL, ON/OFF SWITCH	1
458	2992104	FOOT PEDAL BASE	1
	2994556	ASSEMBLY, FT PED BASE/PIN	1
460	2262301	PULLY, FOOT PEDAL	1
462	2266401	COVER, PULLEY	1
464	2301310	SCREW 8-18 X 1/2	2
466	2266413	TENSION SCREW PLATE	1
468	2332103	SCREW 6-20 X 3/8	2
470	2266412	SWITCH PLATE, FOOT PEDAL	1
472	2264056	CONTROL BOARD MAX 24/36 *NON MDI* *NON US2* *US2*	1
	2264066	CONTROL BOARD MAX 24/36 *MDI*	1
474	2884019	SWITCH-REED, MAGNETIC W/CONNECTORS	1
476	2264511	BOTTOM PLATE, MAX	1
478	2372100	SCREW 8-18 X 5/8	5
480	2223455	SCREW 10-32 X 1/2 ZP	2

▲ Not shown on Parts Diagram.

* This part is included in an assembly and cannot be ordered individually.

+ Only available with models factory installed with Universal Sonar.

→ Only available with models factory installed with Built-in MEGA Down Imaging.

□ The Bow-Mount Stabilizer Assembly is not required or included on the 80lb 45" Fortrex.

PARTS DIAGRAM & PARTS LIST



Item	Part #	Description	Quantity
482	2265126	BUMPER PAD, FOOT PEDAL	4
484	2378600	POP RIVET, 3/16 X 3/4 ALUM	4
486	2256300	TIEWRAP	1
488	2261238	LEADWIRE	1
490	2365107	INSULATING PAD (2.3 X 3.2)	1
492	2263201	CLAMP WIRE HARNESS MICRO	1
498	2267800	GEAR, INDICATOR	3
500	2301310	SCREW 8-18 X 1/2	1
502	2261905	BRACKET, INDICATOR	1
504	2262221	INDICATOR, DRIVE	1
506	2264015	LIGHT, INDICATOR	1
508	2282500	CONTROL BOX	1
510	2263471	SCREW #6-32 X 1/4" SEMS ZPS	4
512	2990140	INDICATOR ASSEMBLY	1
514	2282730	SPRING, INDICATOR	1
516	2285621	DECAL-COVER 80#, FW *80 LB*	1
	2285623	DECAL, COVER 112#, FW *112 LB*	1
518	2280202	COVER, CONTROL BOX	1
520	2232360	PULLEY, CABLE DRUM	1
	2232361	PULLEY, CABLE DRUM *MDI*	1
522	2261730	WASHER, NYLON	1
524	2996247	TOP BEARING, PINION DRIVE	1
526	2223430	SCREW 8 X 3/4	4
528	2261901	BRACKET, CONDUIT	1
530	2372100	8-18 X 5/8	1
532	2263201	CLAMP, WIRE HARNESS	1
534	2053414	8-32 X 1/2 TRI-LOBE	3
536	2372100	SCREW 8-18 X 2/8	4
538	2265110	BOOT, CONTROL BOX	1
540	2355410	SHRINK TUBE 3/8	3
542	2335400	SHRINK TUBE 1/2" OD X 2"	2
544	2375400	SHRINK TUBE 1/4" OD X 1 3/4"	1
546	2218200	FUSE HOLDER ASSEMBLY	1

- ▲ Not shown on Parts Diagram.
- * This part is included in an assembly and cannot be ordered individually.
- + Only available with models factory installed with Universal Sonar.

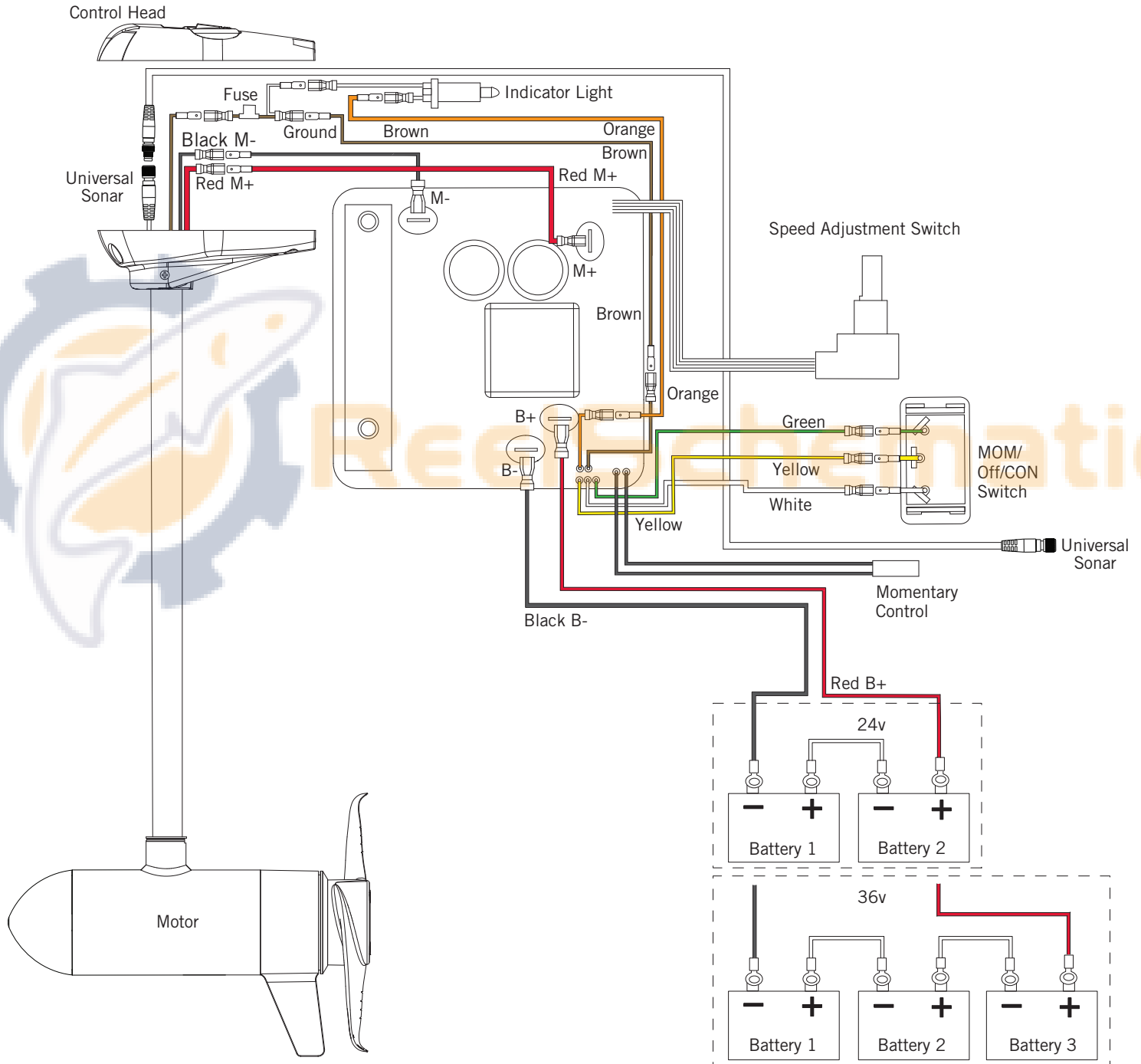
- ➔ Only available with models factory installed with Built-in MEGA Down Imaging.
- The Bow-Mount Stabilizer Assembly is not required or included on the 80lb 45" Fortrex.



MOTOR WIRING DIAGRAM

FORTREX

The following Motor Wiring Diagram applies to all Fortrex Foot Control models that do not come preinstalled with Built-in MEGA Down Imaging. Universal Sonar is an optional feature that may come factory installed.

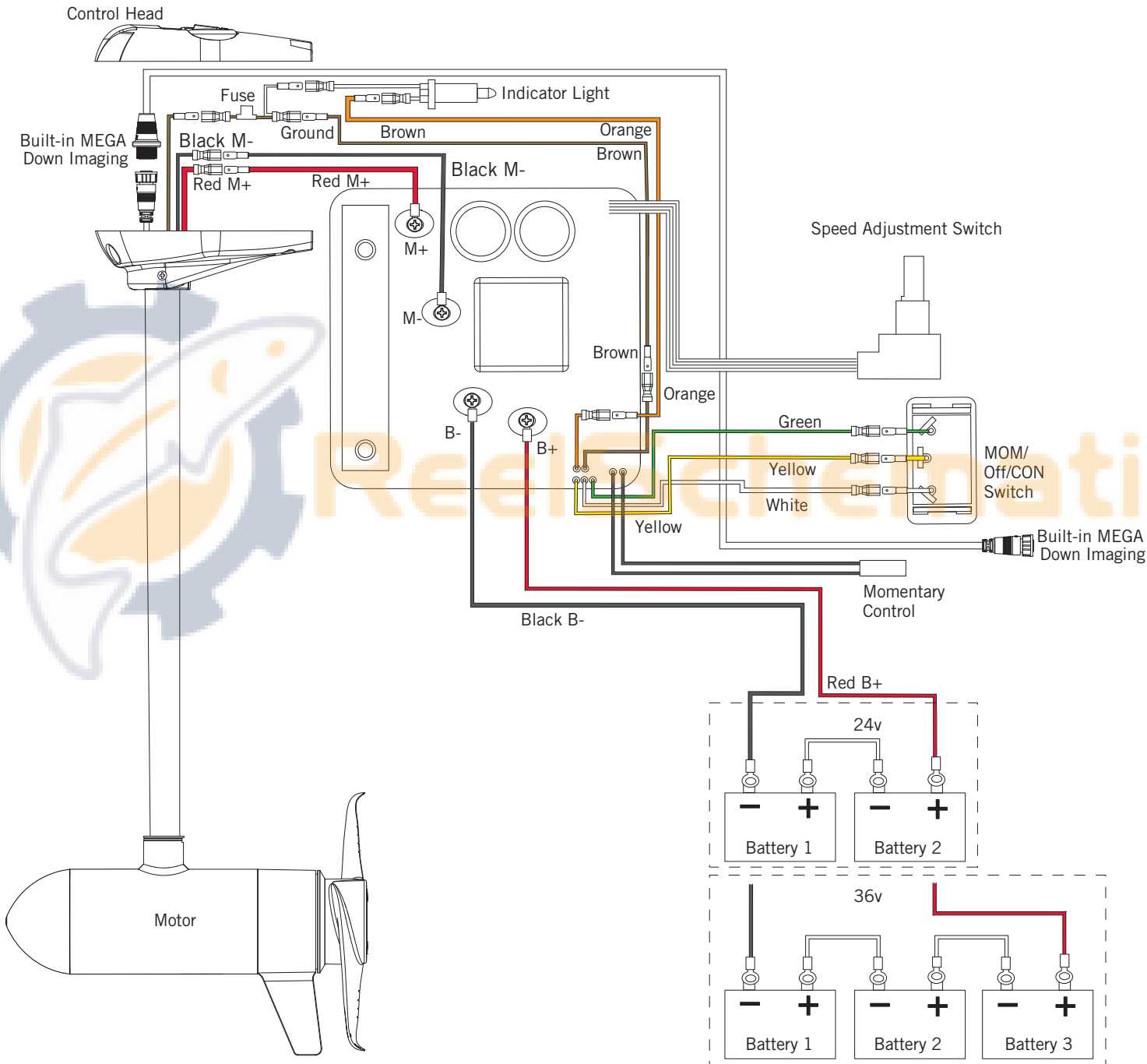


NOTICE: This is a multi-voltage diagram. Double-check your motor's voltage for proper connections. Over-Current Protection Devices are not shown in this illustration.

MOTOR WIRING DIAGRAM

FORTREX

The following Motor Wiring Diagram applies to all Fortrex Foot Control models that come preinstalled with Built-in MEGA Down Imaging.



NOTICE: This is a multi-voltage diagram. Double-check your motor's voltage for proper connections. Over-Current Protection Devices are not shown in this illustration.